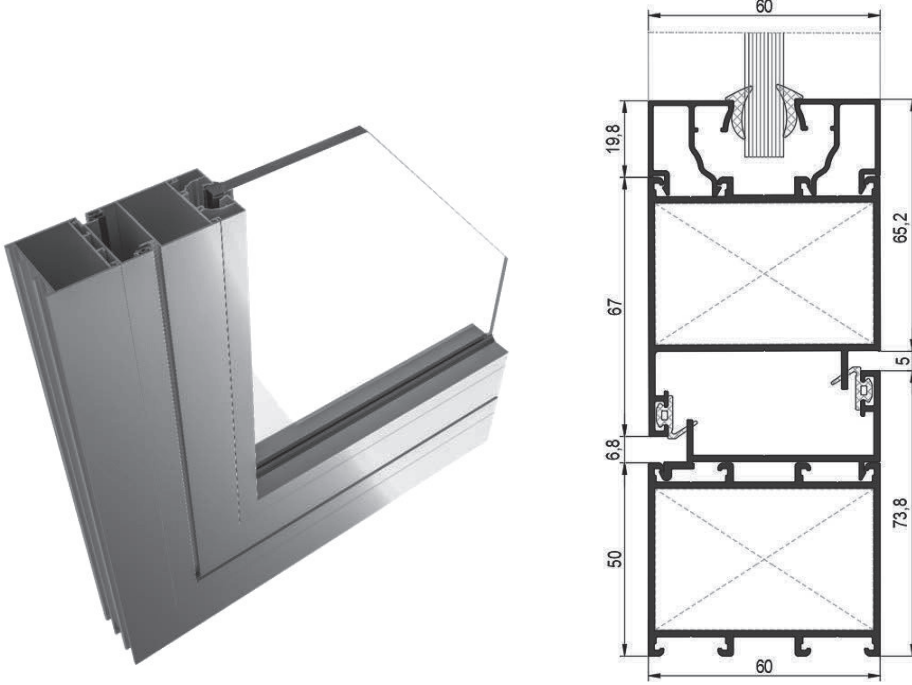


**MİMARİ KATALOG**  
**ARCHITECTURAL CATALOGUE**

**Alüminyum Kapı ve Pencere Sistemleri**  
Aluminium Door and Window Systems



**RW60**



TEKNİK ÖZELLİKLER / TECHNICAL PROPERTIES

KASA DERİNLİĞİ / FRAME DEPTH	60 mm
KANAT DERİNLİĞİ / VENT DEPTH	60 mm
PROFİL ET KALINLIĞI / PROFILE WALL THICKNESS	1,4 / 1,6 mm
MAKS. CAM KALINLIĞI / MAX. GLASS THICKNESS	36 mm

KULLANIM SEÇENEKLERİ / APPLICATION ALTERNATIVES

	KAPI DOOR	PENCERE WINDOW
İÇE AÇILIR HEMYÜZ KAPI / INWARD OPENING COPLANAR DOOR	•	
DIŞA AÇILIR HEMYÜZ KAPI / OUTWARD OPENING COPLANAR DOOR	•	
ÇARPMA KAPI / SWINGING DOOR	•	

**MİMARİ KATALOG**  
**ARCHITECTURAL CATALOGUE**

**Alüminyum Kapı ve Pencere Sistemleri**  
Aluminium Door and Window Systems

# RW60

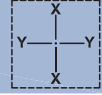
**PROFİLLER**

**PROFILES**

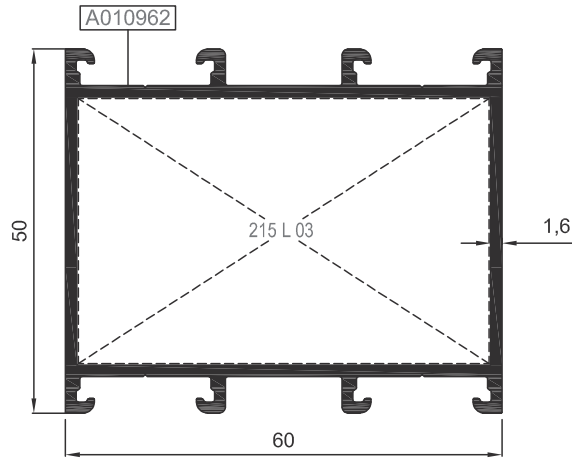
KASA PROFİLLERİ  
FRAME PROFILES

# RW60

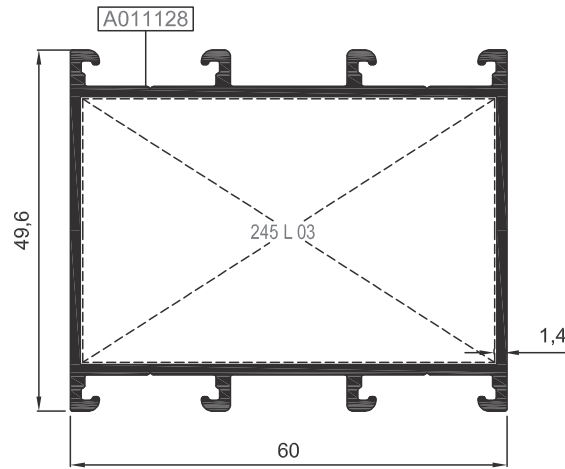
KOD / CODE	AĞIRLIK (kg/m) / WEIGHT	Jxx cm <sup>4</sup>	Jyy cm <sup>4</sup>	L m
RW60 F 02	1,102	20,215	13,495	6
RW60 F 06	0,997	18,287	12,290	6



RW60 F 02



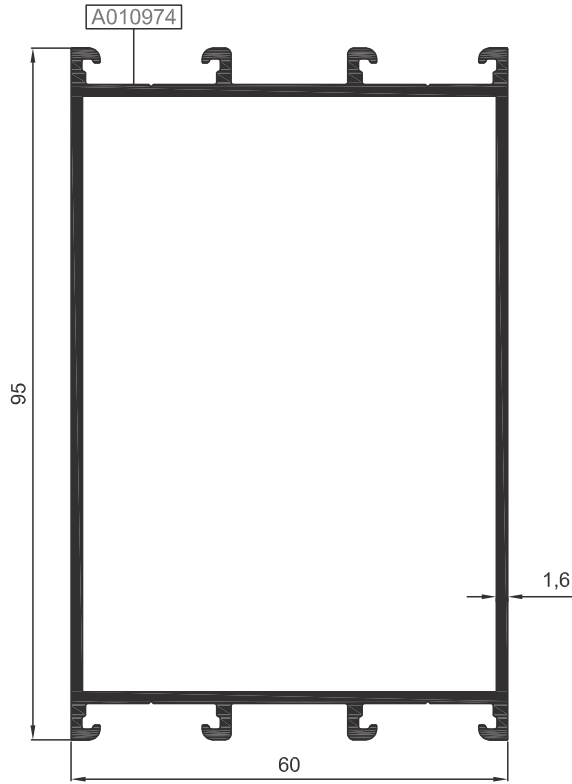
RW60 F 06



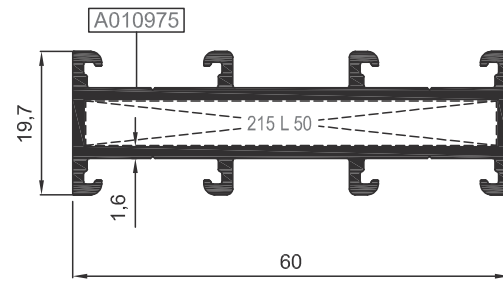
Nr		L m	KESİM ÖLÇÜSÜ CUTTING SIZE	AKS. KODU ACS. CODE
RW60 F 02	A010962	25 L 03 (A002021)	56,5 mm	215 L 03
RW60 F 06	A011128	25 L 03 (A002021)	56,8 mm	245 L 03

KOD / CODE	AĞIRLIK (kg/m) / WEIGHT	Jxx cm <sup>4</sup>	Jyy cm <sup>4</sup>	L m	
RW60 F 03	1,493	32,485	67,952	6	
RW60 F 04	0,840	11,934	0,922	6	
RW60 F 05	1,912	128,959	27,984	6	

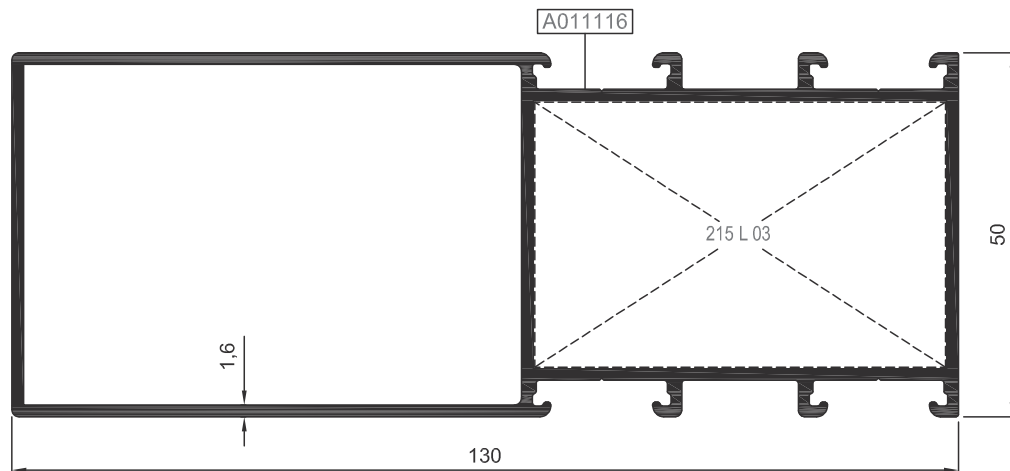
RW60 F 03





RW60 F 04



RW60 F 05

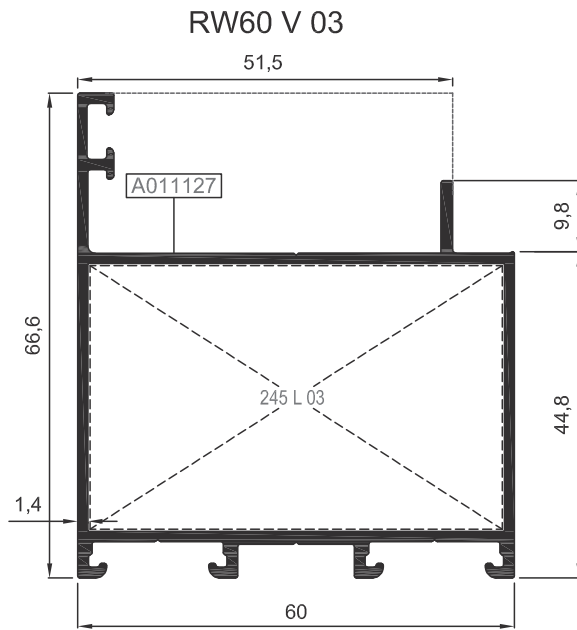
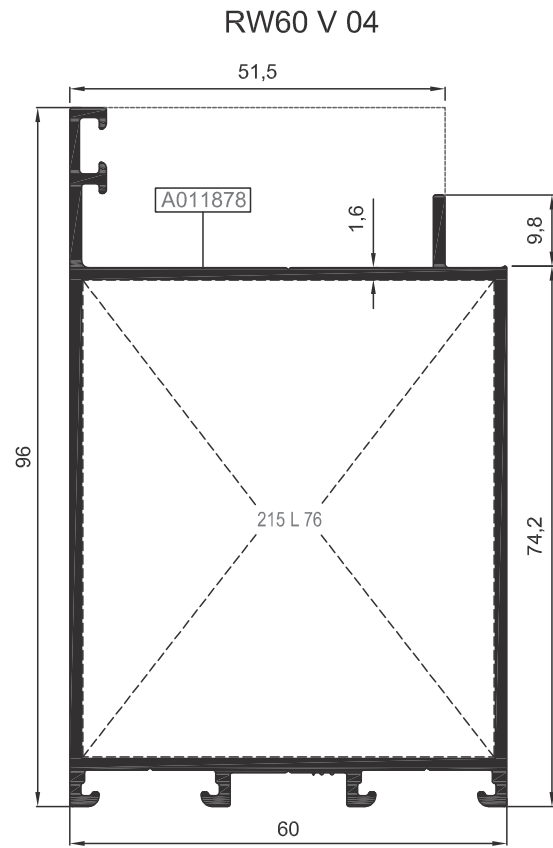
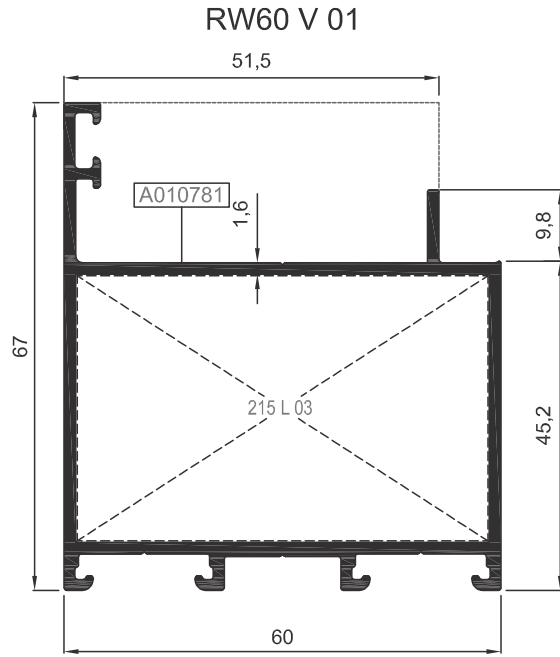



Nr		 L m	KEŞİM ÖLÇÜSÜ CUTTING SIZE	 AKS. KODU ACS. CODE
RW60 F 04	A010975	25 L 50 (A010838)	56,5 mm	215 L 50
RW60 F 05	A011116	25 L 03 (A002021)	56,5 mm	215 L 03

KANAT PROFİLLERİ  
VENT PROFILES

# RW60

KOD / CODE	AĞIRLIK (kg/m) / WEIGHT	Jxx cm4	Jyy cm4	L m
RW60 V 01	1,162	22,715	18,319	6
RW60 V 03	1,047	20,198	15,788	6
RW60 V 04	1,409	49,741	30,234	6



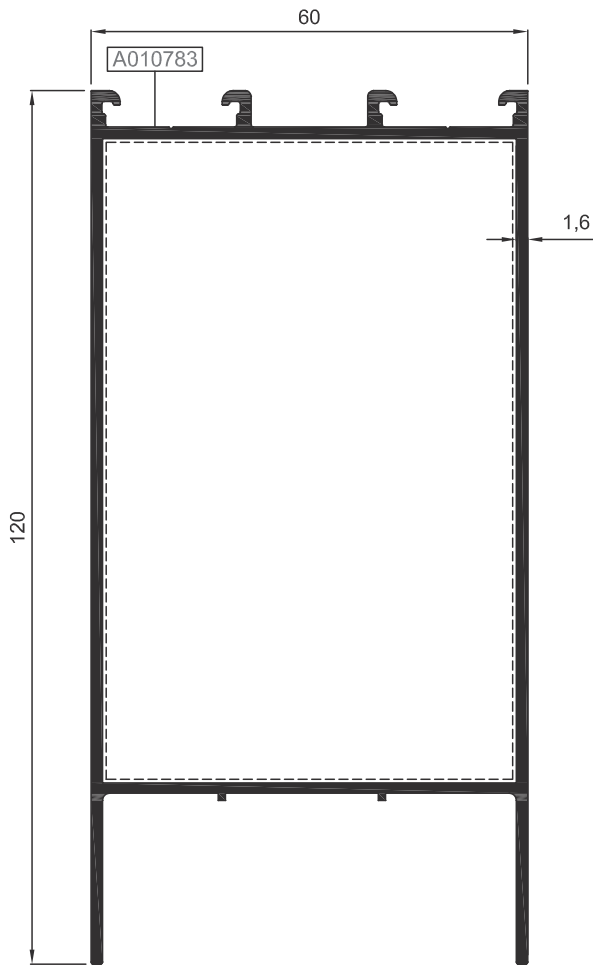
Nr	 L m	KEŞİM ÖLÇÜSÜ CUTTING SIZE	 AKS. KODU ACS. CODE	
RW60 V 01	A010781	25 L 03 (A002021)	56,5 mm	215 L 03
RW60 V 03	A011127	25 L 03 (A002021)	56,8 mm	245 L 03
RW60 V 04	A011878	25 L 76 (A011915)	56,5 mm	215 L 76

ETEK PROFİLLERİ  
KICK PLATE PROFILES

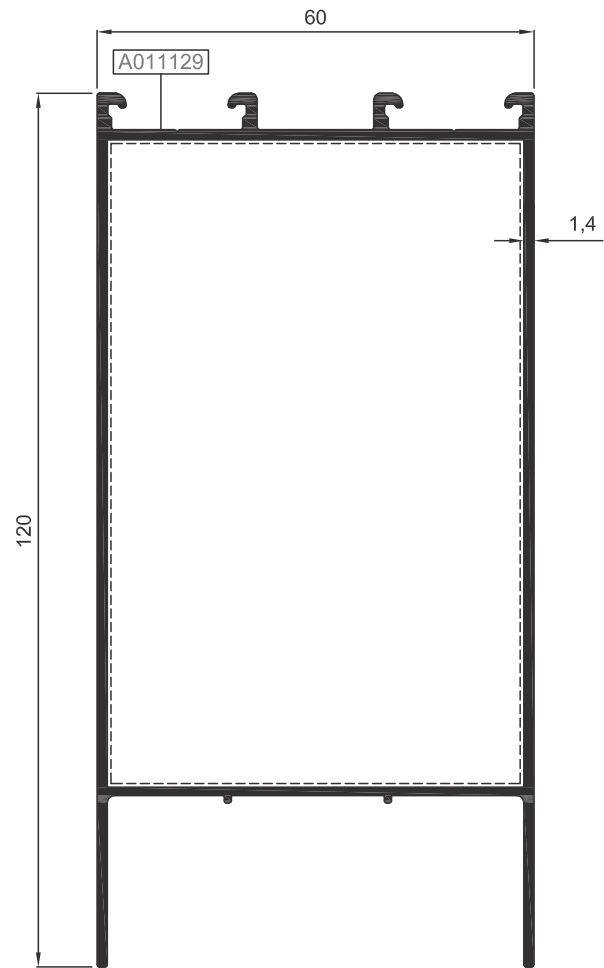
# RW60

KOD / CODE	AĞIRLIK (kg/m) / WEIGHT	Jxx cm <sup>4</sup>	Jyy cm <sup>4</sup>	L m	
RW60 K 01	1,597	38,218	91,717	6	
RW60 K 02	1,414	33,949	81,941	6	

RW60 K 01



RW60 K 02



01

02

03

04

05

06

07

08

09

10

11

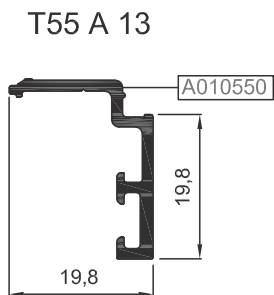
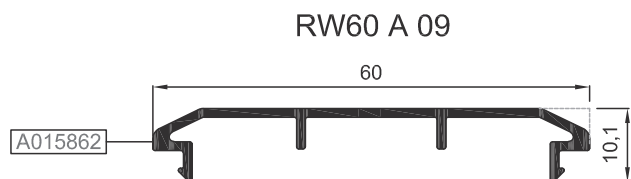
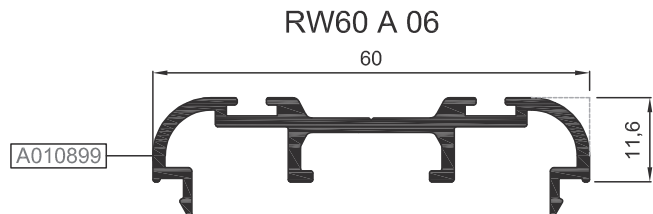
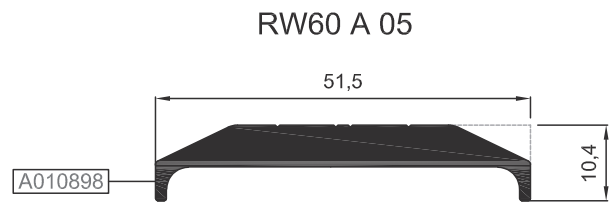
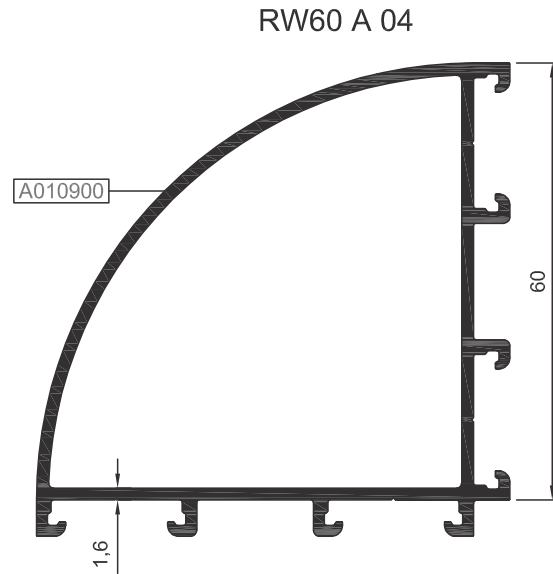
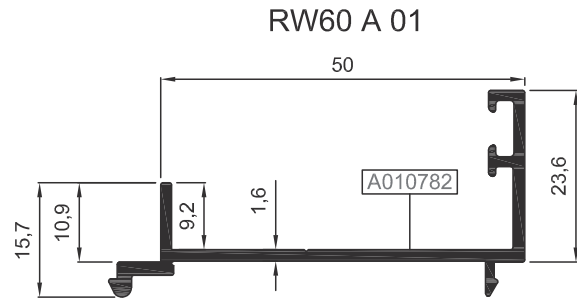
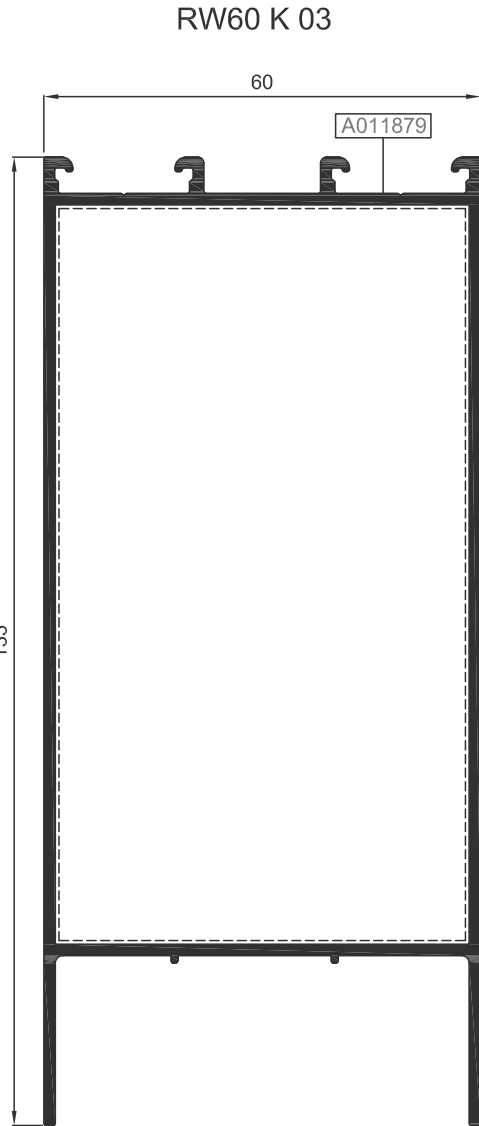
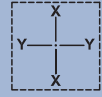
12

13

ETEK VE ADAPTÖR PROFİLLERİ  
KICK PLATE AND ADAPTER PROFILES

# RW60

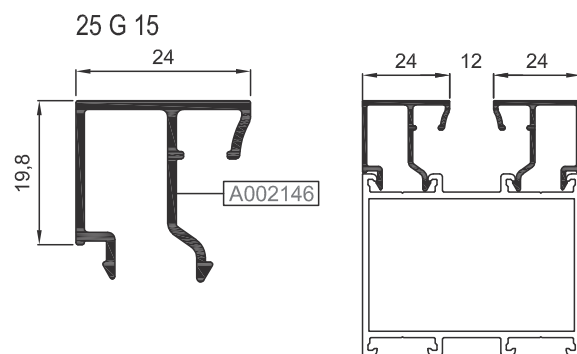
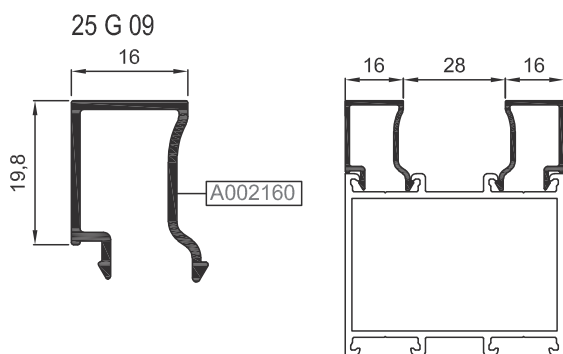
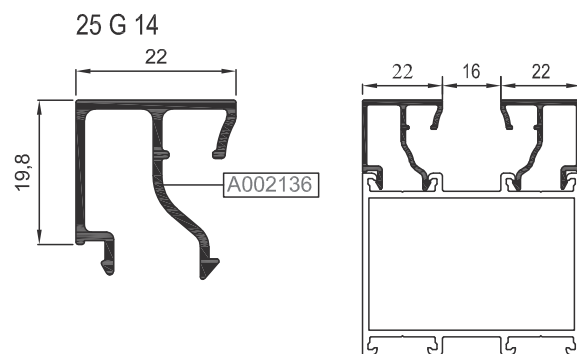
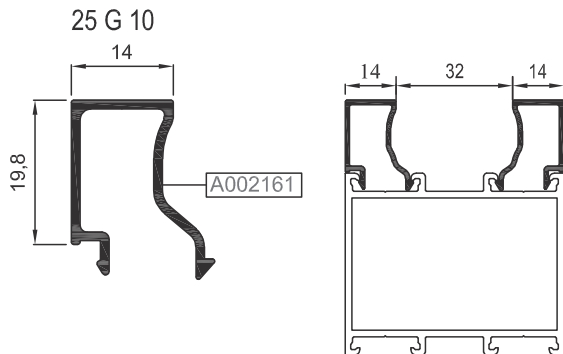
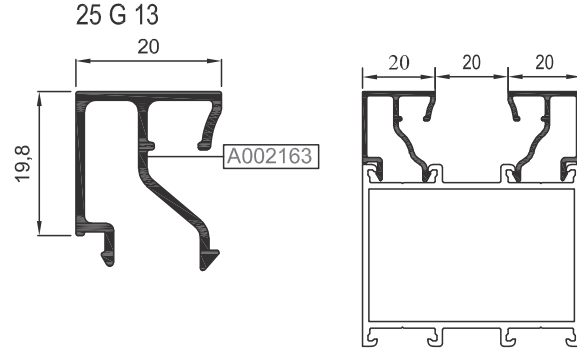
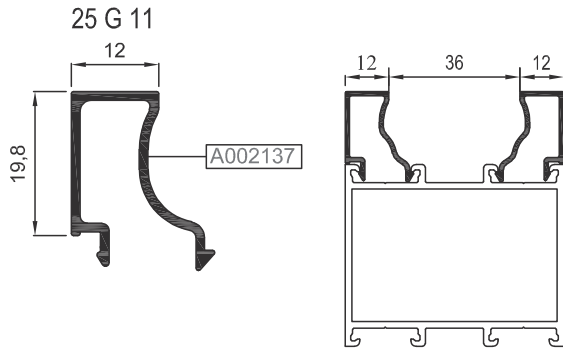
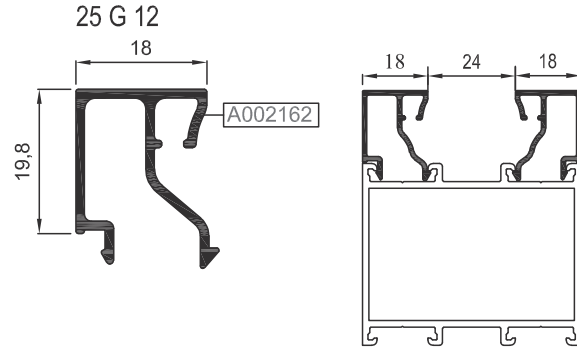
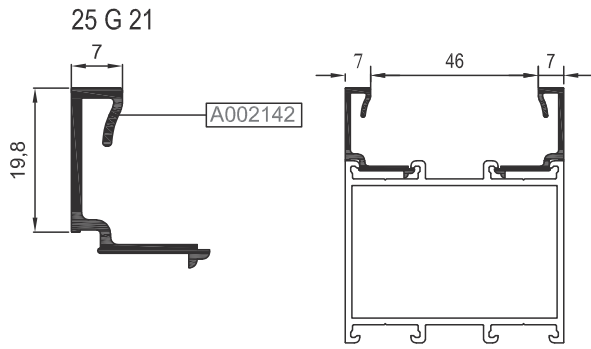
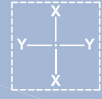
KOD / CODE	AĞIRLIK (kg/m) / WEIGHT	Jxx cm4	Jyy cm4	L m
RW60 K 03	1,741	42,069	124,474	6
RW60 A 01	0,431	---	---	6
RW60 A 04	1,166	---	---	6
RW60 A 05	0,706	---	---	6
RW60 A 06	0,577	---	---	6
RW60 A 09	0,301	---	---	6
T55 A 13	0,220	---	---	6



CAM ÇITA PROFİLLERİ  
GLAZING BEAD PROFILES

RW60

KOD / CODE	AĞIRLIK (kg/m) / WEIGHT	L m	KOD / CODE	AĞIRLIK (kg/m) / WEIGHT	L m
25 G 21	0,196	6	25 G 13	0,278	6
25 G 11	0,224	6	25 G 14	0,281	6
25 G 10	0,226	6	25 G 15	0,285	6
25 G 09	0,229	6			
25 G 12	0,270	6			



01

02

03

04

05

06

07

08

09

10

11

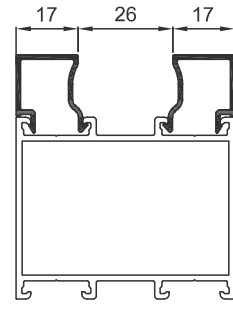
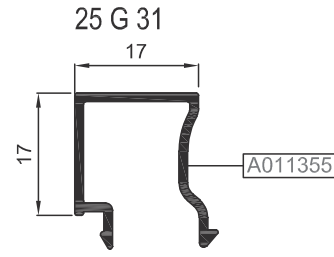
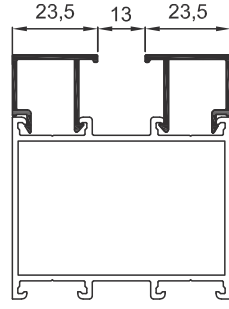
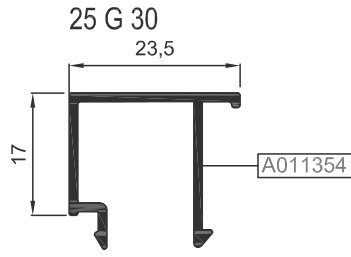
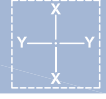
12

13

CAM ÇITA PROFİLLERİ  
GLAZING BEAD PROFILES

# RW60

KOD / CODE	AĞIRLIK (kg/m) / WEIGHT	L m	KOD / CODE	AĞIRLIK (kg/m) / WEIGHT	L m
25 G 30	0,229	6			
25 G 31	0,209	6			



# KÖŞE TAKOZLARI VE ORTA KAYIT BAĞLANTI PROFİLLERİ CORNER CLEATS AND MULLION CONNECTION PROFILES

# RW60

PROFİL KODU (PROFILE CODE)	25 L 03	25 L 50	25 L 76	
FABRİKA KODU(FACTORY CODE)	A002021	A010838	A011915	
AĞIRLIK (WEIGHT)	4,315 kg/m	1,748 kg/m	9,507 kg/m	
ÇİZİM (DRAWING)				

PROFİL KODU (PROFILE CODE)	RW60 A 08			
FABRİKA KODU(FACTORY CODE)	A010976			
AĞIRLIK (WEIGHT)	0,967 kg/m			
ÇİZİM (DRAWING)				

KÖŞE TAKOZLARI (CORNER CLEAT)				
Nr			L m	AKS. KODU ACS. CODE
RW60 F 02	A010962	25 L 03 (A002021)	56,5 mm	215 L 03
RW60 F 04	A010975	25 L 50 (A010838)	56,5 mm	215 L 50
RW60 F 05	A011116	25 L 03 (A002021)	56,5 mm	215 L 03
RW60 F 06	A011128	25 L 03 (A002021)	56,8 mm	245 L 03
RW60 V 01	A010781	25 L 03 (A002021)	56,5 mm	215 L 03
RW60 V 03	A011127	25 L 03 (A002021)	56,8 mm	245 L 03
RW60 V 04	A011878	25 L 76 (A011915)	56,5 mm	215 L 76

ORTA KAYIT BAĞLANTI (MULLION CONNECTION PIECE)				
Nr			L m	AKS. KODU ACS. CODE
RW60 F 02	A010962	RW60 A 08 (A010976)	36,5 mm	
RW60 F 03	A010974	RW60 A 08 (A010976)	81,5 mm	
RW60 F 04	A010975	RW60 A 08 (A010976)	6,2 mm	
RW60 F 05	A011116	RW60 A 08 (A010976)	36,5 mm	
RW60 F 06	A011128	RW60 A 08 (A010976)	36,5 mm	
RW60 K 01	A010783	RW60 A 08 (A010976)	88,2 mm	
RW60 K 02	A011129	RW60 A 08 (A010976)	88,6 mm	
Rw60 K 03	A011879	RW60 A 08 (A010976)	101,1 mm	

## STOKTA BULUNAN SİSTEM PROFİLLERİNİN LİSTESİ (LIST OF SYSTEM PROFILES IN STOCK)

Nr		MİN. SİPARİŞ MİKTARI MIN. ORDER QUANTITY
RW60 F 02	A010962	75 kg
RW60 F 03	A010974	75 kg
RW60 F 04	A010975	75 kg
RW60 F 06	A011128	75 kg
RW60 V 01	A010781	75 kg
RW60 V 03	A011127	75 kg
RW60 K 01	A010783	75 kg
RW60 K 02	A011129	75 kg
RW60 A 01	A010782	75 kg
RW60 A 04	A010900	75 kg
RW60 A 05	A010898	75 kg
RW60 A 06	A010899	75 kg
RW60 A 08	A010976	75 kg

\* STOKTA BULUNMAYAN TÜM PROFİLLER İÇİN MİNİMUM SİPARİŞ MİKTARI 300 KG'DİR.  
MINIMUM ORDER QUANTITY FOR ALL THE PROFILES THAT ARE NOT IN STOCK IS 300 KG.



**MİMARİ KATALOG**  
ARCHITECTURAL CATALOGUE

**Alüminyum Kapı ve Pencere Sistemleri**  
Aluminium Door and Window Systems

# RW60

**DETAYLAR**

**DETAILS**

DETAYLAR  
DETAILS

# RW60

01

02

03

04

05

06

07

08

09

10

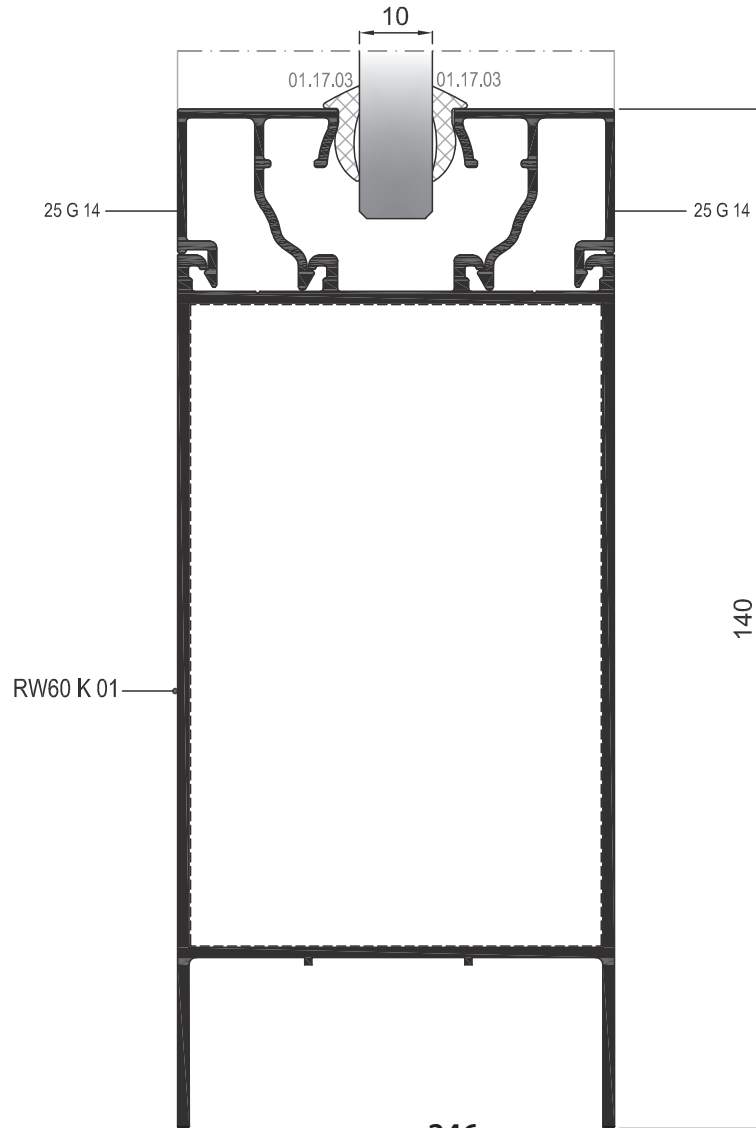
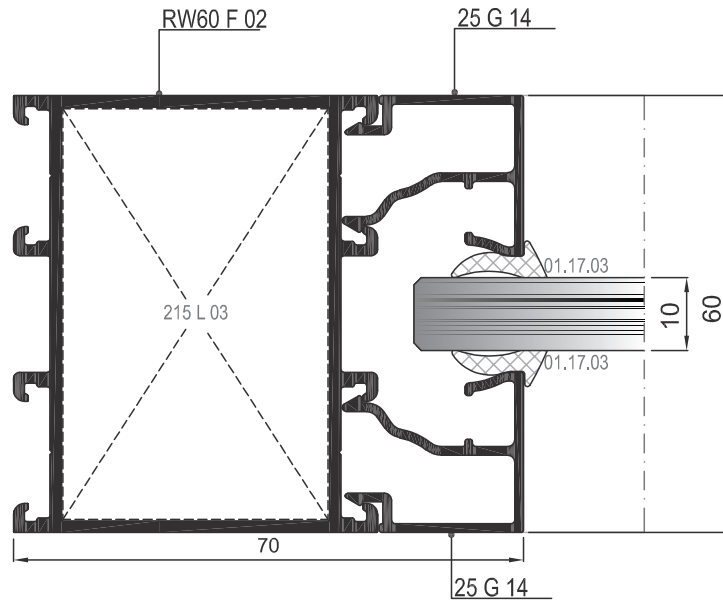
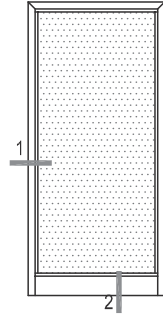
11

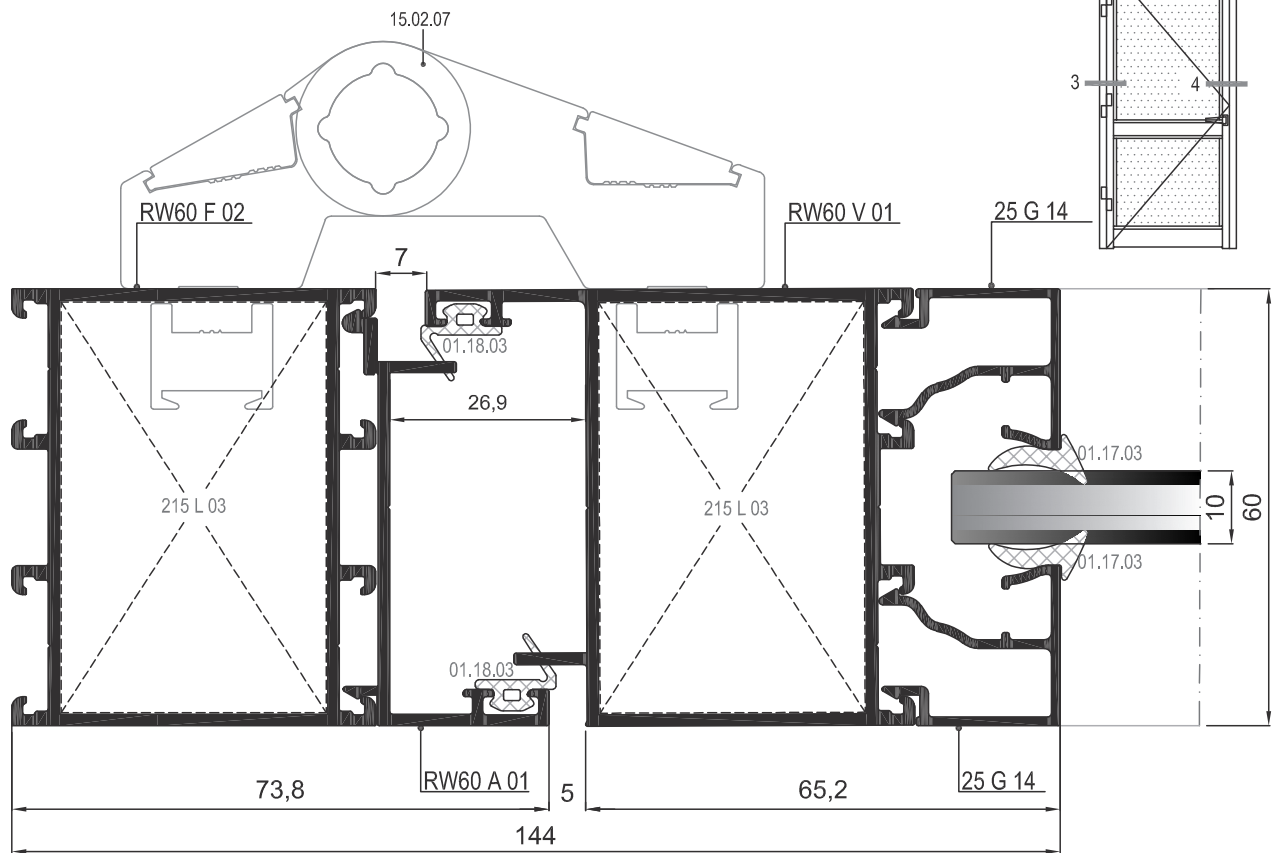
12

13

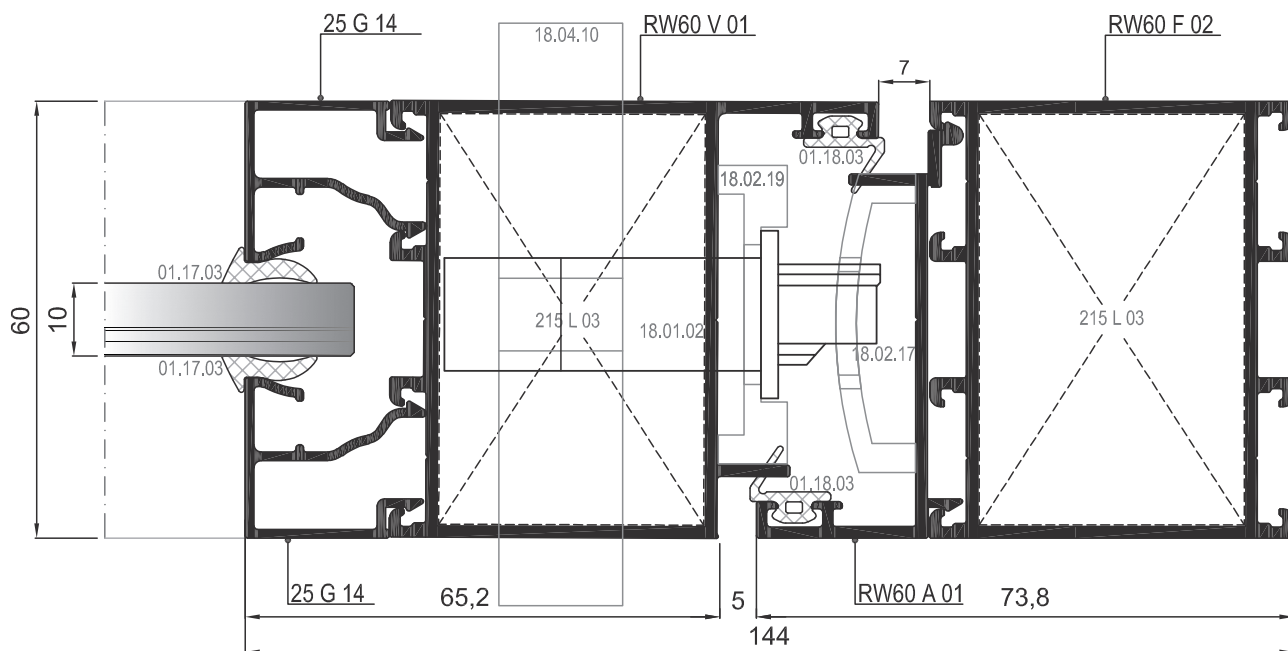
① DETAYI  
DETAIL

② DETAYI  
DETAIL





③ DETAYI  
DETAIL



④ DETAYI  
DETAIL

01

02

03

04

05

06

07

08

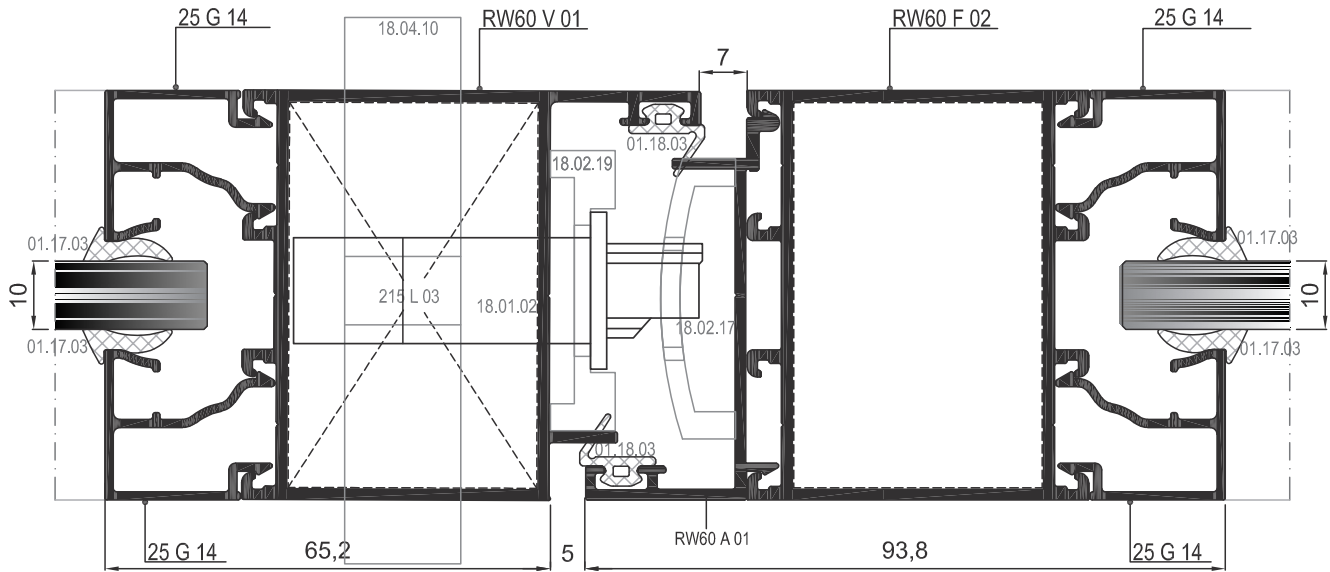
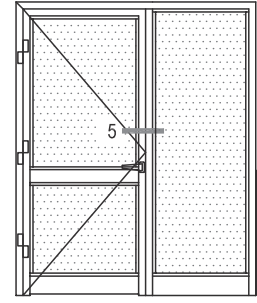
09

10

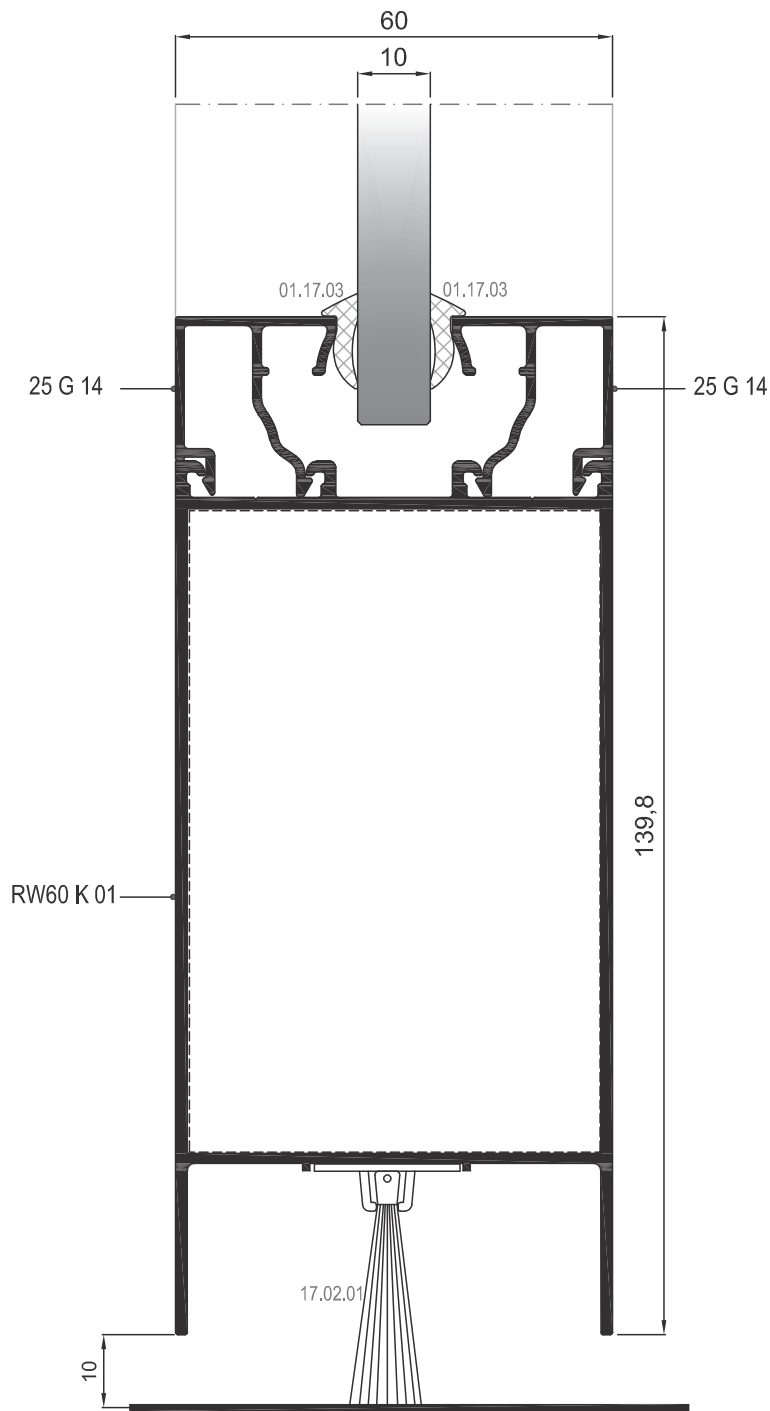
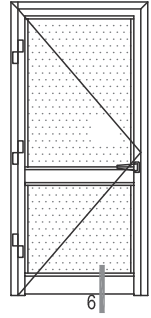
11

12

13



⑤ DETAYI  
DETAIL



⑥ DETAYI  
DETAIL

01

02

03

04

05

06

07

08

09

10

11

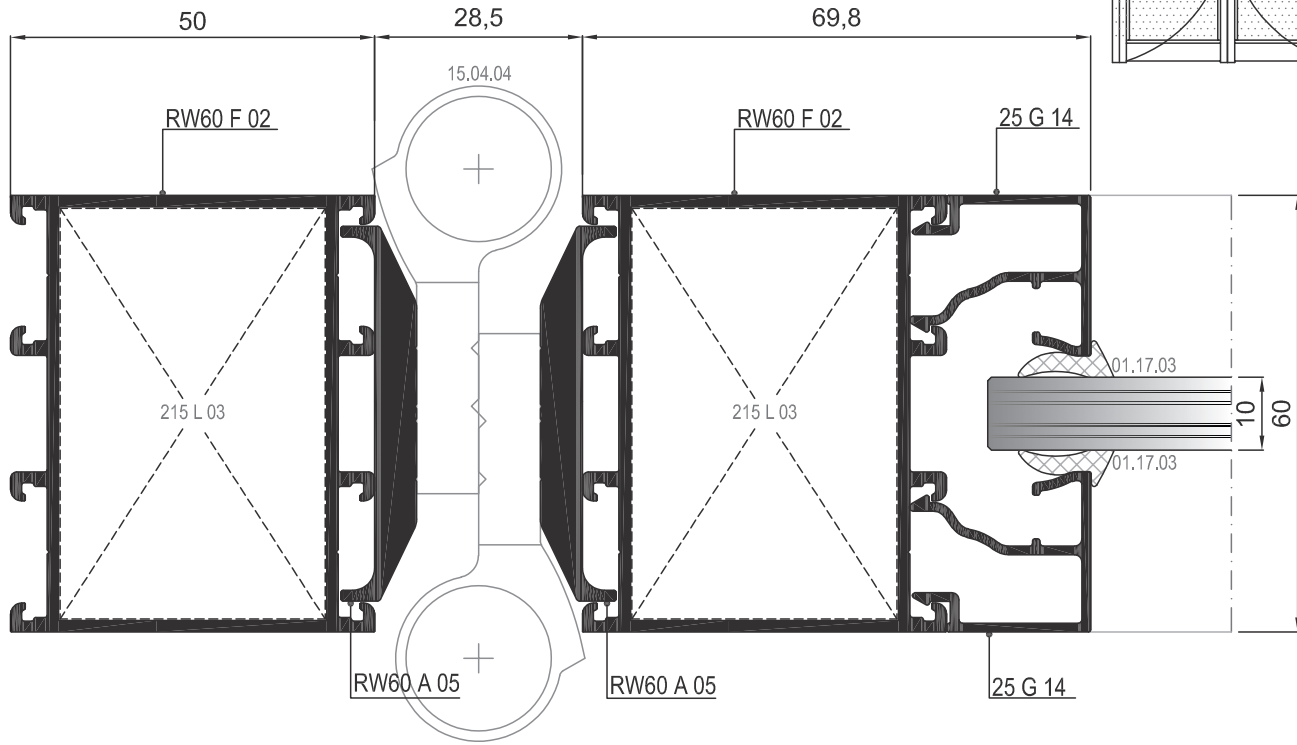
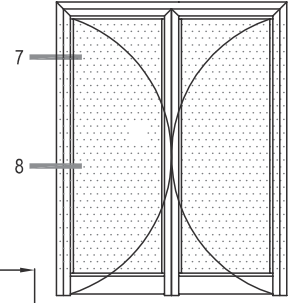
12

13

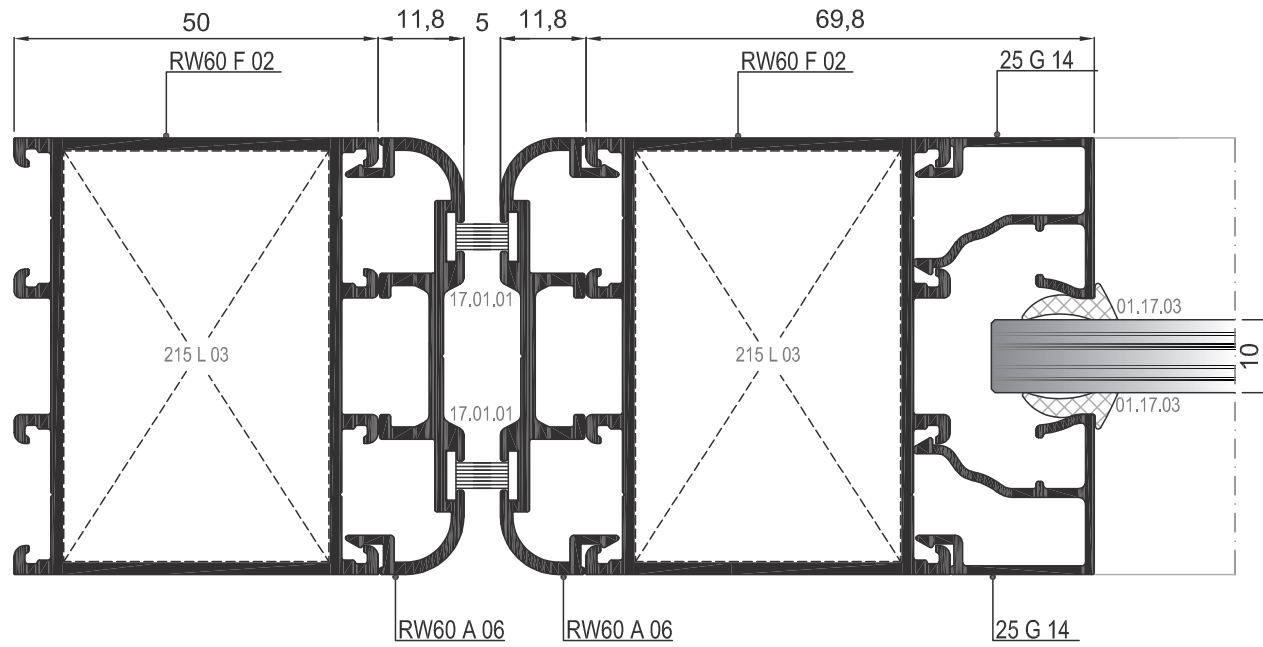
DETAYLAR  
DETAILS

# RW60

ÇARPMA KAPI DETAYLARI  
SWINGING DOOR DETAILS



⑦ DETAYI  
DETAIL

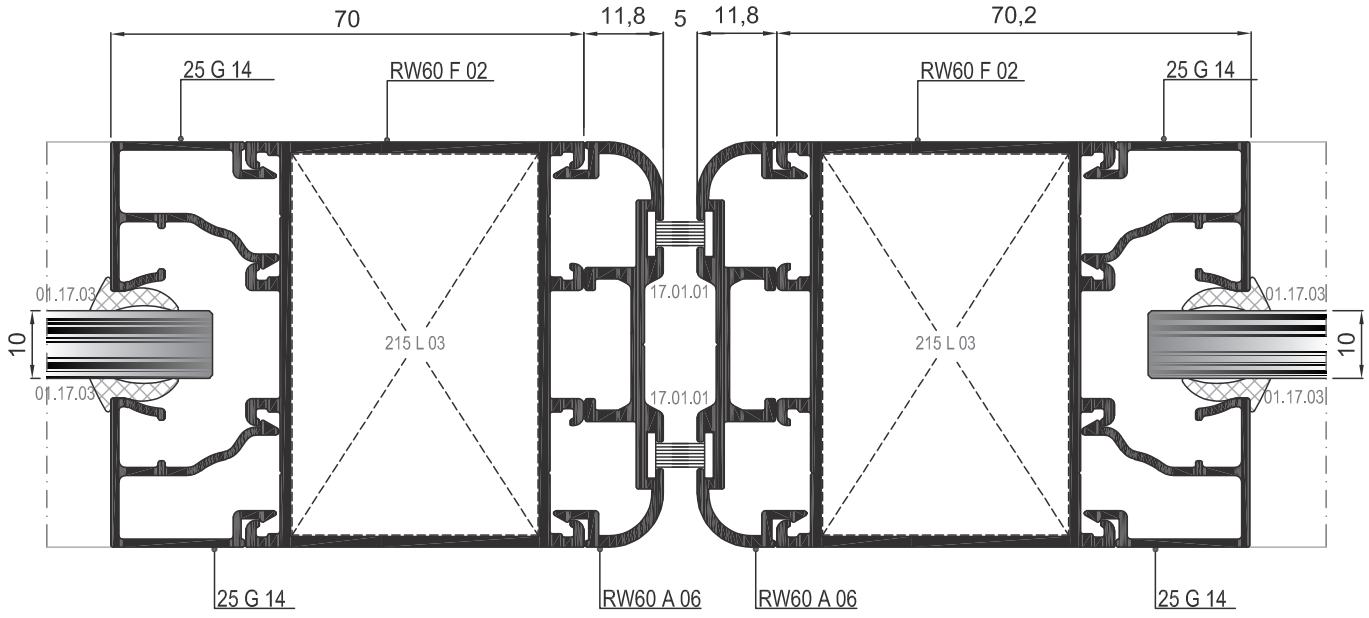
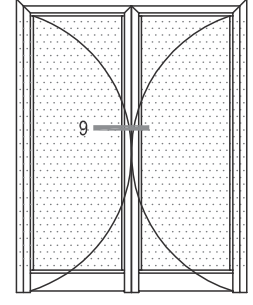


⑧ DETAYI  
DETAIL

DETAYLAR  
DETAILS

# RW60

ÇARPMA KAPI DETAYLARI  
SWINGING DOOR DETAILS



⑨ DETAYI  
DETAIL

01

02

03

04

05

06

07

08

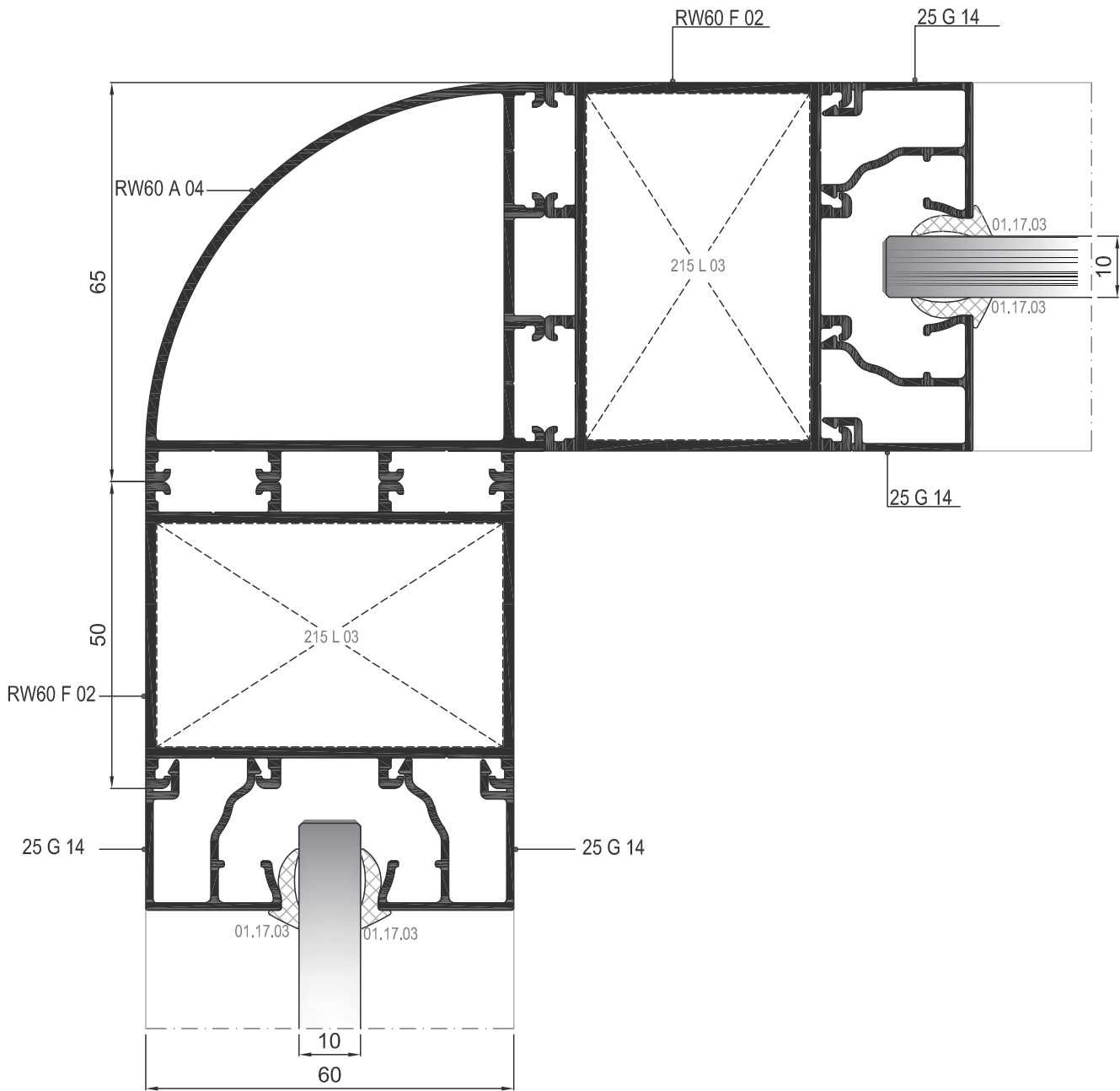
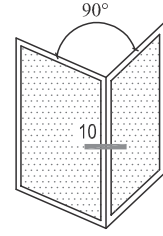
09

10

11

12

13



⑩ DETAYI  
DETAIL

**MİMARİ KATALOG**  
**ARCHITECTURAL CATALOGUE**

**Alüminyum Kapı ve Pencere Sistemleri**  
Aluminium Door and Window Systems

# RW60

**AKSESUARLAR**

**ACCESSORIES**

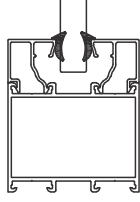
01					
02					
03					
04					
05					
06					
07					
08					
09					
10					
11					
12					
13					



**01.17.03**

İÇ CAM FİTLİ 2,8 mm  
INSIDE GLAZING GASKET 2,8 mm

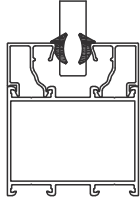
Malzeme / Material : EPDM  
Ağırlık / Weight : 59 gr/m  
Paket / Package: 254m / 15 kg



**01.17.04**

İÇ CAM FİTLİ 3,6 mm  
INSIDE GLAZING GASKET 3,6 mm

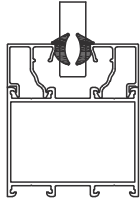
Malzeme / Material : EPDM  
Ağırlık / Weight : 71 gr/m  
Paket / Package: 210m / 15 kg



**01.17.05**

İÇ CAM FİTLİ 4,6 mm  
INSIDE GLAZING GASKET 4,6 mm

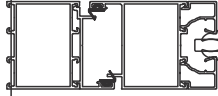
Malzeme / Material : EPDM  
Ağırlık / Weight : 89 gr/m  
Paket / Package: 168m / 15 kg



**01.18.03**

DIŞ BİNI FİTLİ  
OUTSIDE ACOUSTICAL GASKET

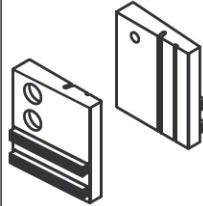
Malzeme / Material : EPDM  
Ağırlık / Weight : 41 gr/m  
Paket / Package: 365m / 15 kg



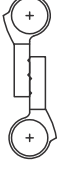

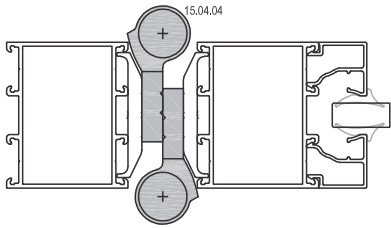
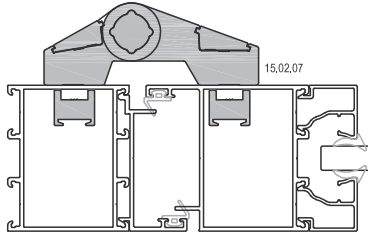
**17.01.01**

KİL FİTİL 670x700  
BRUSH 670x700

Malzeme / Material  
Polipropilen / Polypropylene  
Paket / Package : 275 mt



## KAPI MENTEŞELERİ / DOOR HINGES

 <p><b>15.04.04</b> ÇARPMA KAPI MENTEŞESİ SWING DOOR HINGE Malzeme / Material : Paslanmaz Çelik / Stainless Steel</p>	 <p><b>15.02.07</b> YERLİ KAPI MENTEŞESİ LOCAL HINGE FOR DOORS Renk / Colour : Siyah-Beyaz-Gri-Eloksal Black-White-Grey-Anodized</p> <p>100 kg için 2 adet kullanılmalıdır. / Should be used 2 for 100 kg. Max. kanat ölçüsü 900x2200. / Max. vent dimension 900x2200 <b>TS EN 1935</b></p>
  <p>Ölçek/Scale: 1/3</p>	

01

02

03

04

05

06

07

08

09

10

11

12

13

KAPI KOLLARI / DOOR HANDLES



07.14.06

GIESSE KAPI KOLU  
GIESSE DOOR HANDLE

Renk / Colour : Siyah-Beyaz-Gri  
Black-White-Grey



07.14.07

RESCARA GLOBAL KAPI KOLU  
RESCARA GLOBAL DOOR HANDLE

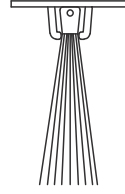
Renk / Colour : Siyah-Beyaz-Gri  
Black-White-Grey



07.14.08

RESCARA MULETA KAPI KOLU  
RESCARA GLOBAL DOOR HANDLE

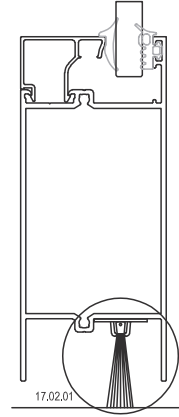
Renk / Colour : Siyah-Beyaz-Gri  
Black-White-Grey





17.02.01


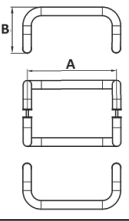
KAPI ALTI FIRÇASI  
BRUSH FOR DOORS


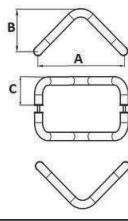
Malzeme / Material : Polipropilen /Polypropylene





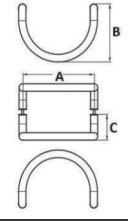
KAPI KOLLARI / DOOR HANDLES

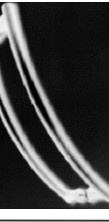
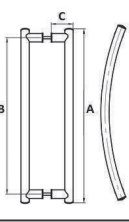
	<p><b>07.17.19</b> AKBANK KAPI KOLU DOOR HANDLE</p> <p>Renk / Colour : Siyah-Beyaz-Gri-Eloksal Black-White-Grey-Anodised</p>		<p><b>07.13.10</b> AKBANK KOL APARATI DOOR HANDLE</p> <p>Renk / Colour : Siyah-Beyaz-Gri-Eloksal Black-White-Grey-Anodised</p>
<p>Ölçüler / Dimensions: H:200 cm</p>			


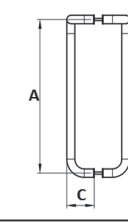
		<p><b>KIVRIK KOL</b> DOOR HANDLE</p> <p>Renk / Colour : Siyah-Beyaz-Eloksal Black-White-Anodised</p>		
KOD CODE	Ø (mm)	A (mm)	B (mm)	
07.17.10	25	200	130	
07.17.11	25	300	130	
07.17.02	25	400	130	
07.17.27	25	500	160	

		<p><b>V KOL</b> DOOR HANDLE</p> <p>Renk / Colour : Siyah-Beyaz-Eloksal Black-White-Anodised</p>		
KOD CODE	Ø (mm)	A (mm)	B (mm)	C (mm)
07.17.06	25	200	130	80
07.17.29	25	250	130	80
07.17.30	25	300	130	80
07.17.31	30	400	160	100

		<p><b>U KOL</b> DOOR HANDLE</p> <p>Renk / Colour : Siyah-Beyaz-Eloksal Black-White-Anodised</p>		
KOD CODE	Ø (mm)	A (mm)	B (mm)	
07.17.08	25	200	80	
07.17.35	25	300	80	
07.17.36	30	400	100	

		<p><b>YARIM AY KOL</b> DOOR HANDLE</p> <p>Renk / Colour : Siyah-Beyaz-Eloksal Black-White-Anodised</p>		
KOD CODE	Ø (mm)	A (mm)	B (mm)	C (mm)
07.17.32	25	200	130	80
07.17.20	25	300	130	80
07.17.33	30	350	160	100

		<p><b>YAY KOL</b> DOOR HANDLE</p> <p>Renk / Colour : Siyah-Beyaz-Eloksal Black-White-Anodised</p>		
KOD CODE	Ø (mm)	A (mm)	B (mm)	
07.17.37	80	400	350	
07.17.22	80	500	450	
07.17.38	80	600	550	
07.17.39	80	700	650	
07.17.40	80	800	750	

		<p><b>BASTON KOL</b> DOOR HANDLE</p> <p>Renk / Colour : Siyah-Beyaz-Eloksal Black-White-Anodised</p>		
KOD CODE	Ø (mm)	A (mm)	B (mm)	C (mm)
07.17.23	25	900	180	80
07.17.34	25	1000	180	80

KAPI KİLİTLERİ / DOOR LOCKS



18.01.01

MAKARALI KİLİT  
MORTISE LOCK (WITH ROLLER)



18.02.19

DİLLİ KİLİT YATAĞI  
MORTISE LOCK PLATE

Renk / Colour : Siyah-Beyaz-Eloksal  
Black-White-Anodised



18.01.02

DİLLİ KİLİT  
MORTISE LOCK



18.02.17

DİLLİ KİLİT KARŞILIĞI  
STRIKER FOR MORTISE LOCK

Renk / Colour : Siyah-Beyaz-Eloksal  
Black-White-Anodised



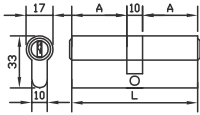
18.03.09

KAPI SÜRGÜSÜ (KISA)  
BOLT FOR DOORS (SHORT)



18.03.10

KAPI SÜRGÜSÜ (UZUN)  
BOLT FOR DOORS (LONG)



18.04.10

BAREL  
CYLINDER

Malzeme / Material : Krom-Nikel / Chrome-Nickel

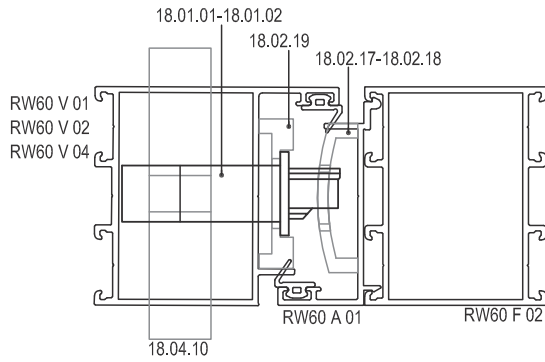
A	B	L
33	33	76



18.05.02

BAREL AYNASI  
CYLINDER COVER

Renk / Colour : Siyah-Beyaz-Gri  
Black-White-Grey



Ölçek/Scale: 1/2